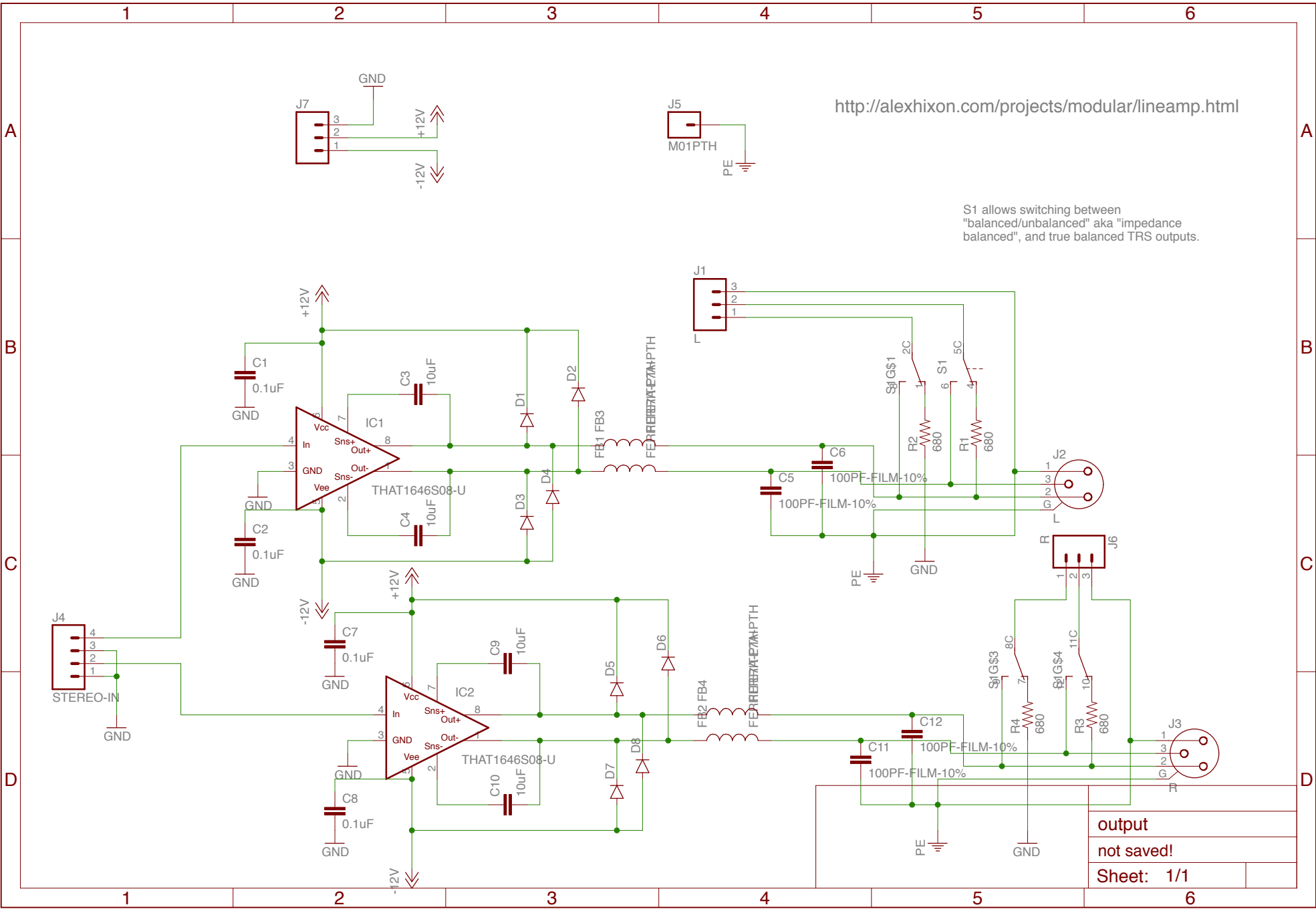


<http://alexhixon.com/projects/modular/lineamp.html>

S1 allows switching between "balanced/unbalanced" aka "impedance balanced", and true balanced TRS outputs.



output
not saved!
Sheet: 1/1