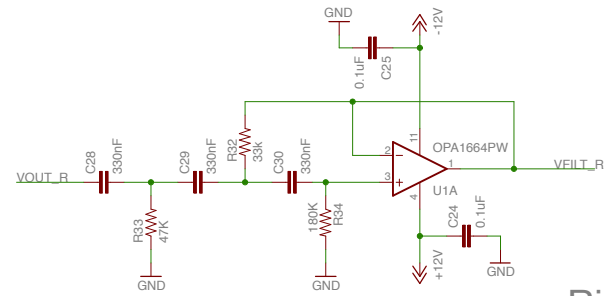
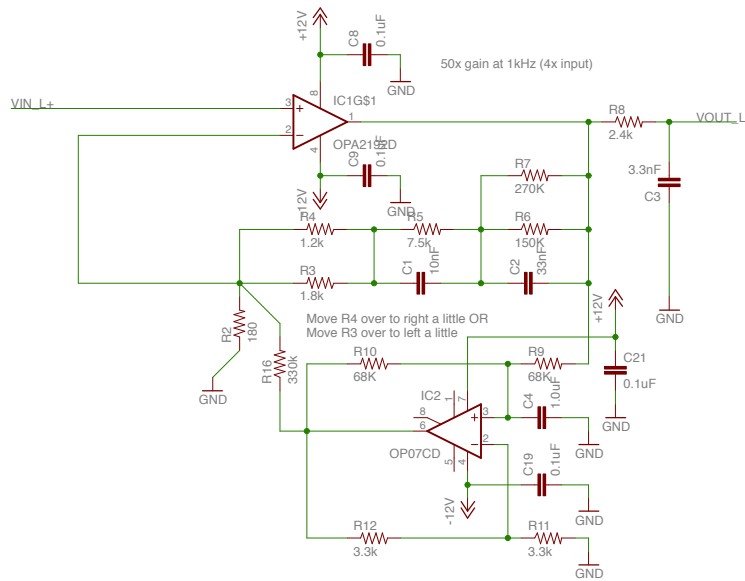


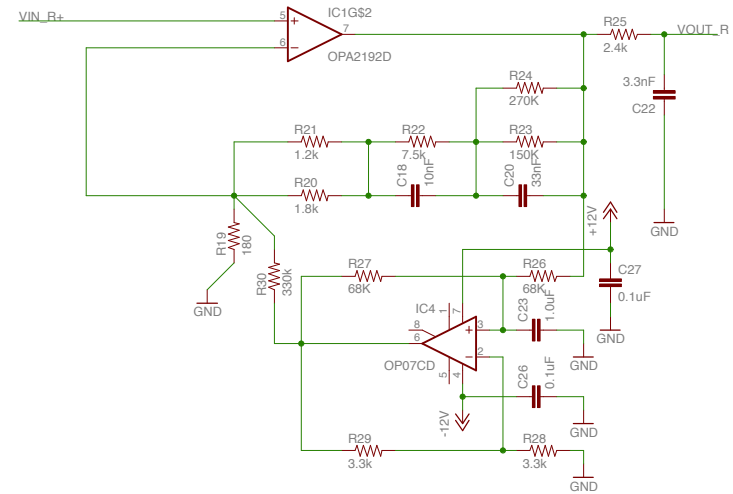
Left



Right



Remove R9, R16 to bypass DC feedback filter



[alexhixon.com/projects/modular/phono.html](http://alexhixon.com/projects/modular/phono.html)

TITLE: amplifier

Document Number:

REV:  
v1.1

Date: not saved!

Sheet: 1/3